



## Twin Screw Roller Head Extruder (TSR)

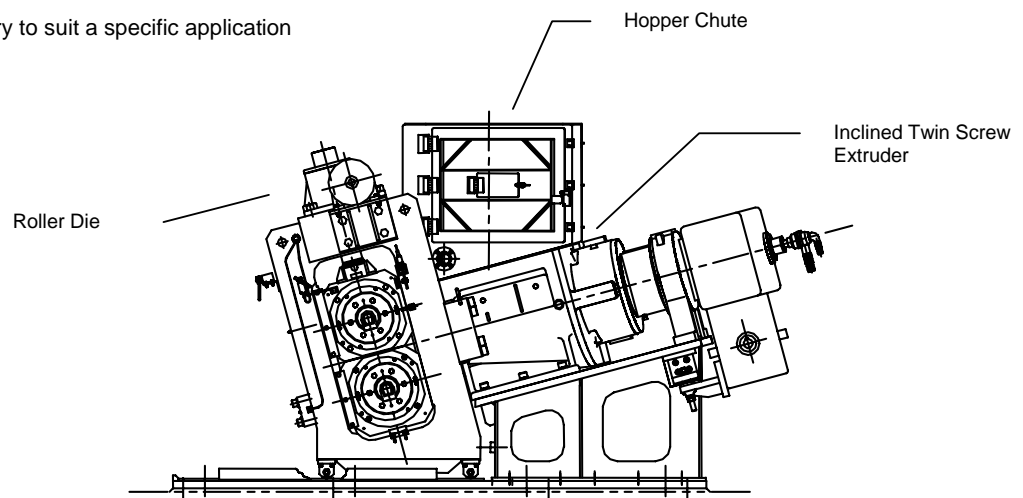
The Kobelco Twin Screw Roller Head Extruder (TSR) is a specialized twin screw extruder with an inclined roller-head or “sheet forming die”. The machine is designed to accept material discharged from an internal intensive mixer and then form a continuous, seamless material sheet. The TSR is ideal for applications such as tire manufacturing, custom compounding, hose & belt and industrial rubber goods.

### A Size for Every Application

Model	Unit		TSR180	TSR240	TSR280	TSR330	TSR450	TSR600
Applicable Nominal Mixer Size	liters		16-60	80-120	120-180	240-270	370	620
Nominal Throughput*	lbs./hr		2,600	5,100	11,000	22,000	33,000	62,000
Motor Capacity Extruder	Hp/kW		15 / 11	30 / 22	60 / 45	125 / 93	250/186	600/450
Motor Capacity Calender	Hp/kW		10 / 7	20 / 15	50 / 37	125 / 93	250/186	600/450
Minimum Stock Guide Width	In/mm		11 / 279	15 / 381	18.5 / 470	25 / 635	27.5 / 698	35.5 / 902
Maximum Stock Guide Width	In/mm		17.5 / 444	21.5 / 546	25.5 / 648	34 / 864	36 / 914	52/1320
Approx. Overall Dimensions	ft/M	Height	5 / 1.5	5.9 / 1.7	6.1 / 1.8	9.8/3.0	9.8/3.0	11.5/3.5
		Width	8.3 / 2.5	10.9 / 3.3	17.2 / 5.2	20.5/6.2	24.8/7.5	27.2/8.3
		Length	9.4 / 2.8	12.3 / 3.7	10.4 / 3.1	14.5/4.4	16.5/5.0	22.3/6.8
Roller Die Working Roll Gap	In/mm	Min	.08/2.0	.08/2.0	.08/2.0	.08/2.0	.08/2.0	.08/2.0
	In/mm	Max	.31/8.0	.31/8.0	.31/8.0	.31/8.0	.31/8.0	.59/8.0
Roller Die Maintenance Roll Gap	In/mm	Max	8.0/203	8.0/203	8.0/203	2.0/50	2.0/50	8.0/203
	In/mm	Max	8.0/203	8.0/203	8.0/203	8.0/203	8.0/203	8.0/203

All data are nominal and may vary to suit a specific application

\* @ SG=1.15



Kobelco TSR